



2016 PRICE LIST

INNOVATION THROUGH ENGINEERING

1-800-223-0012 • 1-613-546-6683 • SALES@ANCHORCONCRETE.COM
1645 SYDENHAM ROAD • KINGSTON • ONTARIO • CANADA K7L4V4 • WWW.ANCHORCONCRETE.COM



Anchor Rebar Supply



PRE-ASSEMBLED CAISSON CAGES

REBAR • PLAIN / GALVANIZED • MESH

Contact: 613-546-6683 Ext. 248, sales@anchorrebar.com
www.anchorrebar.com



Anchor's innovative clamshell cantilever joint design for the highway 407 extension (above) allowed over 2,640 tonnes of precast to be installed in just 4 days. The culvert is 76.6 metres long and each 35 tonne piece was placed in under 7 minutes. The project won first place in the Creative Use of Precast (CUP) Underground Division from the National Precast Concrete Association (NPCA). Beyond acting as a short span bridge this culvert goes a step further, it has a natural bottom stream and a pathway for wildlife to safely cross the busy highway.

Contact **Anchor** for design consultation and precast products needs.

CONTENTS

PAGE 2

CATCH BASINS & DITCH INLETS
 DITCH INLET GRATES
 COVERS AND GRATES

PAGE 3

GRADE RING ADJUSTERS Concrete
 APPURTENANCES

PAGE 4

MANHOLES / VALVE CHAMBERS

PAGE 5

BOX STRUCTURES:
 MANHOLES
 VALVE CHAMBERS
 ELECTRICAL VAULTS

PAGE 6

PRECAST RESERVOIRS
 RETAINING WALLS

PAGE 7

HEADWALLS
 ELECTRICAL HAND-HOLES
 ELECTRICAL MAINTENANCE HOLES
 TRANSFORMER VAULTS
 TRAFFIC CONTROL PRODUCTS

PAGE 8

REDICAST SERVICE BUILDINGS
 THREE SIDED BRIDGE SYSTEM
 CLAMSHELL BRIDGE/CULVERT SYSTEM

PAGE 9

CONCRETE BOX CULVERTS

PAGE 10

TERMS AND CONDITIONS

CATCH BASINS & DITCH INLETS Minimum charge of 910 mm (3'0")

STANDARD CATCH BASINS (mm)	O.P.S.D.	MASS (kg)	PRICE
600 x 600 - 115 Wall	705.010	789 / m + 130 (base)	\$422.20 / m
600 x 600 - 150 Wall		1080 / m + 130 (base)	570.80 / m
Weep Holes		per structure	68.90

DOUBLE CATCH BASINS (mm)	O.P.S.D.	MASS (kg)	PRICE
600 x 1450 x 115 Wall	705.020	1259 / m + 130 (base)	\$819.40 / m
Weep holes		per structure	68.90

DITCH INLET CATCH BASINS (mm)	O.P.S.D.	MASS (kg)	PRICE
600 x 600 - 150 Wall	705.030	1080 / m + 130 (base)	\$630.80 / m
600 x 1200 - 150 Wall	705.040	1512 / m + 264 (base)	979.10 / m
1200 x 1200 - 225 Wall	705.040 / 702.050	3121 / m + 804 (base)	1,371.40 / m
1200 x 1200 Monobase Premium		each	523.70
1200 x 1200 Ditch Inlet Top	705.040 / 702.050	per structure	1,801.90 / m



DITCH INLET GRATES Rivetted steel - galvanized (fasteners included)

TYPE - O.P.S.D. 403.010	MASS (kg)	PRICE
Type A	34	\$478.60
Type B	59	704.30
Type C	65	773.20

COVERS AND GRATES Cast iron

PRODUCT	O.P.S.D.	TYPE	MASS	PRICE
Manhole Frame & Cover	401.01A / 401.01B	Closed (A) / Open (B)	168	\$536.50
Manhole Frame & Cover	401.03	Watertight & Bolted	190	650.70
Catch Basin Frame & Grate	400.02 / 400.01	Flat / Dished	204	555.30
Catch Basin Frame & Grate	400.03	Vee Type	230	555.30
Catch Basin Frame & Grate		Bolted - Flat	204	572.00
Meter Chamber Frame & Cover (3pc.)	402.03		447	3,688.50

City of Ottawa or other cast iron available upon request

GRADE RING ADJUSTERS **CONCRETE** / Grade rings sold in bundles - less 15% (for pick-up only)

SIZE (mm)	MASS (kg)	MANHOLE	MASS (kg)	CATCHBASIN
*50 (2")	58	\$39.10	40	\$37.10
*75 (3")	84	41.40	60	39.30
75 (3") with step	84	60.80	51	60.80
150 (6")	159	143.60	118	131.30

* 2" grade rings 10 in bundle or 3" grade rings 8 in bundle

APPURTENANCES

SIZE (mm)	UNIT	PRICE
*Grade Ring Seal - 6w (1/4")	6.1m roll (20') / Carton 26 Rolls	\$13.10 / 289.00
**Joint Seal - 20w (3/4")	4.42m roll (14.5') / Carton 8 Rolls	25.60 / 166.20
**Joint Seal - 25w (1")	4.42m roll (14.5') / Carton 6 Rolls	35.50 / 172.40
Rubber Boot - 100, 125, 150, 200 dia - (4", 5", 6", 8" dia.)		177.50
Rubber Boot - 250 dia (10")		231.80
Rubber Boot - 300 dia (12")		303.20
Rubber Boot - 375 dia (15")		364.40
Rubber Boot - 450 dia (18")		461.00
Rubber Boot - 525 dia (21")		544.20
Rubber Boot - 610 dia (24")		645.10
Sub-drain Couplers		46.50
***4 Ton Swift Lift Device	each	349.10
***8 Ton Swift Lift Device	each	656.80
Hollow Aluminum Safety Steps	each	22.90
Solid Aluminum Safety Steps	each	38.60
Potable Water Sealant		33.60

*Grade Ring Seal - Carton price is 15% off single roll price. Each joint uses 2.7m (9')

**Joint Seal - Rubber Gaskets available for 1200, 1500, 1800 dia manholes

***Swift Lift Device - rentals available



MANHOLES / VALVE CHAMBERS Rubber gasket (joint seal) included in below prices

1200mm DIA - O.P.S.D. 701.010	HEIGHT (mm)	MASS (kg)	PRICE
Flat Cap	205	720	\$504.10
Taper Top 1320 mm	1320	1952	884.80
Risers	Variable	1324 / m	644.80 / m
Flat Base	205	773	504.10
Monobase Premium			573.70
Safety Platform: Rivetted Aluminum			1,208.00
Benching 1-5 holes			581.20

1500mm DIA - O.P.S.D. 701.011	HEIGHT (mm)	MASS (kg)	PRICE
Flat Cap	305	1818	\$1,007.60
Risers	Variable	1940 / m	977.13 / m
Transition 1500 to 1200	305	1090	1,004.40
Flat Base	305	1773	1,007.60
Monobase Premium			1,001.49
Safety Platform: Rivetted Aluminum			1,701.00

1800mm DIA - O.P.S.D. 701.012	HEIGHT (mm)	MASS (kg)	PRICE
Flat Cap	305	2720	\$1,354.50
Risers	Variable	2695 / m	1,389.36 / m
Transition 1800 to 1200	305	1900	1,354.50
Flat Base	305	2630	1,354.50
Monobase Premium			1,137.80
Safety Platform: Rivetted Aluminum			2,207.20

2400mm DIA - O.P.S.D. 701.013	HEIGHT (mm)	MASS (kg)	PRICE
Flat Cap	305	4890	\$2,684.00
Risers	Variable	4610 / m	2,477.20 / m
Transition 2400 to 1200	305	4138	2,684.00
Flat Base	305	4620	2,677.70
Monobase Premium		2525	2,254.40
Safety Platform: Rivetted Aluminum			3,457.50

New! 2400mm DIA Monobase now available.

3000mm DIA - O.P.S.D. 701.014	HEIGHT (mm)	MASS (kg)	PRICE
Flat Cap	305	8142	\$4,520.10
Risers	Variable	7043 / m	3,875.30 / m
Transition 3000 to 1200	305	7258	4,520.20
Flat Base	305	8255	4,520.20
Monobase Premium			4,339.40
Safety Platform: Rivetted Aluminum			Upon Request

BOX STRUCTURES MAINTENANCE HOLES, VALVE CHAMBERS & ELECTRICAL VAULTS

Maximum Burial Depth: 900mm; Deep burial depths available upon request. Jointing Material: included in price. Various heights available. Box Manholes to be off-loaded by contractor. Minimum charge of 1.50m will apply to all Box structures.

PRODUCT	SIZE (mm)	MASS (kg)	PRICE
Monotop or Monobase Premium	900 x 900	437 ea.	Price on Request
Riser		2,430 /m	Price on Request
Top Slab or Base Slab		984 ea.	Price on Request
Monotop or Monobase Premium	1200 x 1200	804 ea.	Price on Request
Riser		3,122 /m	Price on Request
Top Slab or Base Slab		1,506 ea.	Price on Request
Monotop or Monobase Premium	900 x 1800	875 ea.	Price on Request
Riser		3,402 /m	Price on Request
Top Slab or Base Slab		1,640 ea.	Price on Request
Monotop or Monobase Premium	1500 x 1800	1,510 ea.	Price on Request
Riser		3,108 /m	Price on Request
Top Slab or Base Slab		2,148 ea.	Price on Request
Monotop or Monobase Premium	1800 x 1800	1,750 ea.	Price on Request
Riser		4,374 /m	Price on Request
Top Slab or Base Slab		2,734 ea.	Price on Request
Monotop or Monobase Premium	1650 x 2400	2,138 ea.	Price on Request
Riser		4,860 /m	Price on Request
Top Slab or Base Slab		3,033 ea.	Price on Request
Monotop or Monobase Premium	1800 x 2400	2,333 ea.	Price on Request
Riser		5,022 /m	Price on Request
Top Slab or Base Slab		3,262 ea.	Price on Request
Monotop or Monobase Premium	2400 x 2400	4,150 ea.	Price on Request
Riser		5,670 /m	Price on Request
Top Slab or Base Slab		5,850 ea.	Price on Request
Monotop or Monobase Premium	1650 x 3000	3,564 ea.	Price on Request
Riser		5,508 /m	Price on Request
Top Slab or Base Slab		5,220 ea.	Price on Request
Monotop or Monobase Premium	1800 x 3000	2,916 ea.	Price on Request
Riser		5,670 /m	Price on Request
Top Slab or Base Slab		4,192 ea.	Price on Request
Monotop or Monobase Premium	2400 x 3000	5,184 ea.	Price on Request
Riser		6,318 /m	Price on Request
Top Slab or Base Slab		7,080 ea.	Price on Request
Monotop or Monobase Premium	3000 x 3000	6,480 ea.	Price on Request
Riser		6,966 /m	Price on Request
Top Slab or Base Slab		8,570 ea.	Price on Request
Monotop or Monobase Premium	2400 x 3800	6,566 ea.	Price on Request
Riser		7,182 /m	Price on Request
Top Slab or Base Slab		8,721 ea.	Price on Request
Monotop or Monobase Premium	3000 x 3800	8,208 ea.	Price on Request
Riser		7,830 /m	Price on Request
Top Slab or Base Slab		10,557 ea.	Price on Request

PRECAST RESERVOIRS - MODULAR DESIGNS ENABLE LARGE CAPACITY STORAGE



- ▶ Leed™ Water Collection
- ▶ Potable Water Storage
- ▶ Leachate Collection
- ▶ Septic & Holding Tanks: sizes ranging from 3,600L to 86,000L
- ▶ Fire Protection
- ▶ NFPA 22 Fire Rated Tanks: 50,000L, 65,000L, 86,000L

- ▶ Design Assistance
- ▶ Custom Applications
- ▶ Installation Services
- ▶ Multiple Tank Systems
- ▶ Liners

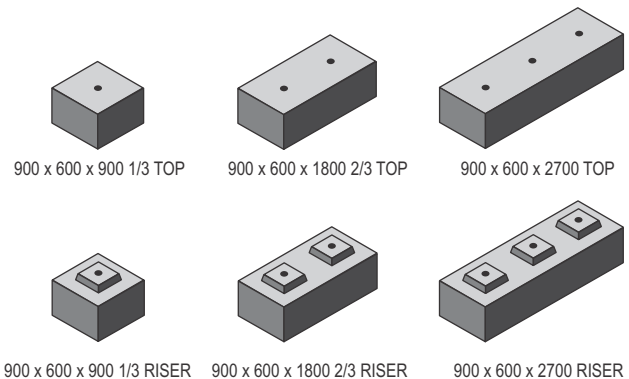
Contact Anchor for more information

Call **Anchor** for more information



Retaining Wall System

- Engineered for strength... designed for beauty
- Requires nearly 50% less concrete per face foot vs. solid systems
- Large hollow cores, wet cast, internal drainage, 8 square foot face, design and installation advantages
- Environmental sustainability



Anchor Block



Call **Anchor** or for more information

HEADWALLS c / w grate installed - Headwall O.P.S.D. 804.03 and Grate O.P.S.D. 804.05

SIZE (mm)	MASS (kg)	PRICE
300 dia hole 1675 h x 2835 w	4105	\$3,355.80
375 dia hole 1675 h x 3100 w	4454	3,335.80
450 dia hole 1675 h x 3360 w	4787	4,003.30
525 dia hole 1940 h x 3630 w	6159	4,003.30
600 dia hole 1940 h x 3900 w	6567	4,964.20
675 dia hole 1940 h x 4170 w	6966	4,964.20
750 dia hole 2120 h x 4440 w	8248	6,034.50
825 dia hole 2120 h x 4645 w	8654	6,034.50

ELECTRICAL HAND-HOLES (HH)/ MAINTENANCE HOLES (MH)

SIZE (mm)	O.P.S.D.	MASS (kg)	PRICE
*HH - 300 dia x 750 h	2112.010	172	Price on Request
*HH - 460 dia x 750 h	2112.020	240	Price on Request
HH - 675 dia x 750 h	2112.030	416	Price on Request
HH - 600 x 600 x 750 h	2112.040	940	Price on Request
MH - 600 x 1450 X 1675 h	2111.020	2512	Price on Request
MH - 1200 dia x 1830 h	2111.030	2400	Price on Request
MH - 1200 x 1650 x 2490 h	2111.040	5130	Price on Request
MH - 1800 x 2400 x variable h	2111.050	9925	Price on Request

Pulling Irons - 20 dia (3/4") dia installed in specified structure

\$92.70 each

*Product complete with cast iron cover

TRANSFORMER VAULTS

SIZE (mm)	MASS (kg)	PRICE
453LA 60" X 48" X 38" h	1550	\$722.00
454LA 72" X 72" X 6" h top slab	500	721.00
454LA 72" X 72" X 42" h vault + top slab	4080	1,944.00
455LA 84" X 72" X 42" h vault + top slab	4310	2,324.00
ACP 110 40" X 58" X 42" h	1555	691.00
ACP 114 72" X 72" X 54" h vault + top slab	3760	2,324.00

TRAFFIC CONTROL PRODUCTS - Ask about renting barriers

SIZE (mm)	O.P.S.D.	PRICE
Tall Wall 32" w X 43" h X 158" l	911.143	\$1,623.30
Barriers (with hardware) 25" w X 35" h X 156" l		787.00
Barriers (no connexion hardware) 25" w X 35" h X 156" l		699.00
Barriers (no connexion hardware) 25" w X 35" h X 78" l		441.00
Mini Barriers 18" w X 18" h X 72" l		284.00
Cable Anchor Block / cubic metre block with beam	913.102	502.70
Parking Bumpers 8" w X 6" h X 96" l		67.00
Parking Bumpers 12" w X 8" h X 96" l		87.00
Pins		2.80

REDICAST™

SERVICE BUILDINGS



Free standing structures for secure on-site storage. For full information package, and other sizes / options please call our office.

Spillage sumps and matching base vaults also available.

PRODUCT	SIZE	PRICE
REDICAST 8	6'6" x 8'6"	\$6,835.50
REDICAST 10	10' x 10'	10,423.35
REDICAST PRIVY <i>Privy Price Includes tank and accessories</i>	8' x 10'	19,553.10

Prices listed above F.O.B. Kingston

Call Anchor for more information or email sales@anchorconcrete.com

Anchor Flat Top Bridge System

Three Sided Flat Top Bridge Systems are produced in spans ranging from 2.4m to 12m. Arches are custom designed to C.H.B.D.C. Specifications, also known as three sided culvert.

Perfect for quick installation and environmentally sensitive water courses.



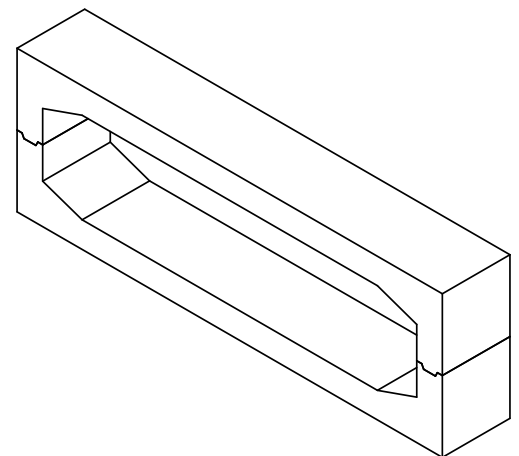
Call Anchor for more information or email sales@anchorconcrete.com

Anchor's Clamshell Culvert and Bridge System

(Patent Pending)

SPAN & RISE (mm)	SIDE WALL THICK. (mm)	TOP & BASE THICK. (mm)	HAUNCH (kg / m)
8000 x 2100	500	700 base, 700 top	700x700
8000 x 2100	700	1100 base, 1000 top	700x700
9500 x 2350	650	650 base, 650 top	350x1000

PRICE ON REQUEST



PRECAST REINFORCED CONCRETE BOX CULVERTS

SPAN & RISE (mm)	WALL THICKNESS (mm)	WATERWAY AREA (sq m)	APPROX. MASS (Tonnes @ 2500mm run length)	PRICE PER METRE *C.H.B.D.C. **O.P.S.S. 1821
1800 x 900	200	1.61	8.0	Price on Request
1800 x 1200	200	2.16	8.6	Price on Request
2400 x 1200	200	2.89	10.5	Price on Request
2400 x 1500	200	3.63	11.0	Price on Request
2400 x 1800	200	4.38	12.0	Price on Request
3000 x 1500	250	4.51	16.0	Price on Request
3000 x 1800	250	5.44	17.3	Price on Request
3000 x 2100	250	6.37	18.3	Price on Request
3000 x 2400	250	7.30	19.2	Price on Request

**** O.P.S.S. 1821: Design Earth Cover - 0.6m - 3.66m**
***C.H.B.D.C.: Design Earth Cover - greater than 0.6m**
Low cover culverts by special request

Standard lengths are 2.5 metres

Please allow (10) weeks from date of order

Please contact our office for prices of special design box sections

Pricing Upon Request

Reinforced Concrete Box Section
Tee and Wye Junctions.

Reinforced Concrete Box Section
Reducers and Increases

Reinforced Concrete Radius Box
Section.

Reinforced Concrete Box Section
Plugs and Caps.

Bevelled End Section Reducers

Reinforced Concrete Box Section
Bends and Elbows.

Flush Ends

Hole to Accept Manhole Riser

Scribed Holes

Jointing Material
Butyl mastic sealant included



CUSTOM REINFORCED CONCRETE BOX CULVERTS

SPAN & RISE (mm)	WALL THICKNESS (mm)	WATERWAY AREA (sq m)	APPROX. MASS (Tonnes @ 2500mm run length)	PRICE PER METRE *C.H.B.D.C.
1200 x 900	200	1.00	6.48	Price on Request
1500 x 600	200	0.82	6.48	Price on Request
2400 x 600	250	1.36	10.98	Price on Request
2400 x 900	200	2.04	9.60	Price on Request
2400 x 2700	250	6.36	17.55	Price on Request
3000 x 1200	250	3.48	14.82	Price on Request
3000 x 3000	350	8.76	29.58	Price on Request
3600 x 2400	250	8.52	20.22	Price on Request
3600 x 3000	300	10.62	27.00	Price on Request
4500 x 1750	300	7.70	25.74	Price on Request
5000 x 3000	450	7.32	28.52	Price on Request

TERMS / ANCHOR CONCRETE PRODUCTS LTD.

- ▶ All applicable taxes are extra.
- ▶ Orders over \$465.00 will be delivered 'No Charge' within 50 kms of Kingston, when we are in your immediate area. Special delivery will be made 'No Charge' within 50 km for orders over \$1,440.00. Boom truck rentals will be charged at a rate of \$130 per hour (min 3 hours) when available.
- ▶ Custom made products ordered by Purchaser are not subject to cancellation. Custom made products not taken will be charged to the Purchaser.
- ▶ Custom made products not released for delivery, will be invoiced five weeks after manufactured. Quoted terms will apply.
- ▶ The Purchaser is reminded to verify all quantities, calculations, specifications, etc. Anchor assumes no liability in this regard.
- ▶ Stock products returned will be subject to a 25% re-stocking charge.
- ▶ Unless noted as a line item on quote/sales order prices exclude: epoxy reinforcement, waterproofing membrane, joint connectors, concrete base, concrete sealer, miscellaneous metals, Engineered Stamped Design and Quality Verification Engineering (QVE). For box culverts, price excludes apron wall, head wall, wing wall and sections connectors.

CONDITIONS OF SALE / ANCHOR CONCRETE PRODUCTS LTD.

1. Quotations are valid for 30 days from date of offer. Contact our office for an update thereafter.
2. Quotations accepted do not obligate Anchor to provide credit.
3. All quotations are subject to any increase in tax or freight in which case the increase will be added.
4. Rate for trucking are only valid for loads delivered within 30 days of placing an order, due to rapidly changing fuel costs. As such, fuel surcharges may apply at time of delivery.
5. Prices are F.O.B. jobsite. Contractor to off-load, delivered in truckload quantity to jobsite and to a point nearest to the worksite which is accessible to our truck, so loaded and without risk of accident, injury or undue delay. Delivery of product beyond a point which in our opinion is accessible to a loaded truck shall be at the risk of the Purchaser. Purchaser is solely responsible for safety at the jobsite / delivery location including identifying all hazards such as electrical hazards or unstable ground and notifying the Anchor representative(s) of any hazards. Purchaser shall identify whether a signaler is required and, where required or appropriate, provide a competent signaler at Purchaser's own expense. Purchaser shall ensure that all of the Purchaser's workers involved in or assisting with the delivery or offloading are competent and properly trained. Purchaser shall determine the location of offloading, but Anchor reserves the right to refuse to offload where it would be unsafe to do so.
6. Additional charges will apply after a one (1) hour delay in unloading or releasing Anchor vehicles. Additional truck time is chargeable at a minimum of three (3) hours.
7. Additional charges may apply for the delivery of less than truckload quantities.
8. Quotations are based on deliveries being made during normal working hours.
9. Anchor requires no less than 24 hours' notice of the request for delivery to ensure adequate service.
10. Anchor shall not be liable for delay or non-delivery caused by the failure of transport facilities, strikes, fire, war, flood, accident or any other cause beyond its control.
11. All precast sections are supplied with Swift Lift lifting anchors installed. Swift Lift hardware, if required, is extra.
12. Quality Verification Engineering (QVC) is excluded on all orders unless otherwise stated.
13. Waterproofing and sealing of any and all joints is the responsibility of the contractor. Installation guidelines can be provided upon request. This product has been test fitted to ensure proper fit at the joints. Anchor Concrete will not accept and charges relating to leaks or water tightness for installations where sealing and/or waterproofing is the responsibility of the contractor, unless the product materials or workmanship defects is accepted by Anchor Concrete.
14. The Purchaser will inspect Anchor products and other goods purchased at the time of delivery. Anchor Concrete will not accept any back charges or short payments of its invoices for any Purchaser claims for costs unless advised, in writing, regarding such claims within 7 days of receiving the product(s) in question. No additional warranty will be provided for product replacement or repair beyond what is stated in these terms and conditions. Furthermore, Anchor reserves the right to inspect any and all product for which the Purchaser may wish to claim such back charges; and should these products not be available for Anchor's inspection and verification of Purchaser's claims, Anchor will refuse to accept any back charges or short payments of invoices in all cases. If any such products or other goods are found to be defective, Anchor will deliver new goods to the Purchaser at the site of the work in lieu thereof, but it is a condition of sale that this will be the limit of Anchor's liability and it will not be liable for any labour costs or other consequential damages. Anchor does not provide any additional warranty beyond what is stated in these terms and conditions.
15. Maximum storage on Anchor property is 4 months from the approved production date (based on the Purchasers required by date). A monthly storage fee equal to 2% of the value of the product will be charged for all structures that remain on Anchor property after 4 months.
16. No payment holdbacks may be taken for any supply-only projects; nor shall they be taken for any supply-install projects unless Anchor has agreed to such terms, in writing, prior to the acceptance of such orders.
17. Product returned for credit will be subject to handling charges and the prior acceptance of Anchor.
18. Waiver of any of the terms and conditions herein by Anchor shall not constitute a general waiver of terms and conditions, and must be in writing. Anchor reserves the right to enforce all conditions not so waived.

DRAWINGS AVAILABLE FOR ALL PRODUCTS AT www.anchorconcrete.com

By ordering products from Anchor, Purchaser is deemed to have accepted the Terms and Conditions set out in this document.