

**SPECIFICATIONS**

**MANUFACTURED AS PER OPSD 804.030.**

**ALL DIMENSIONS IN MILLIMETRES.**

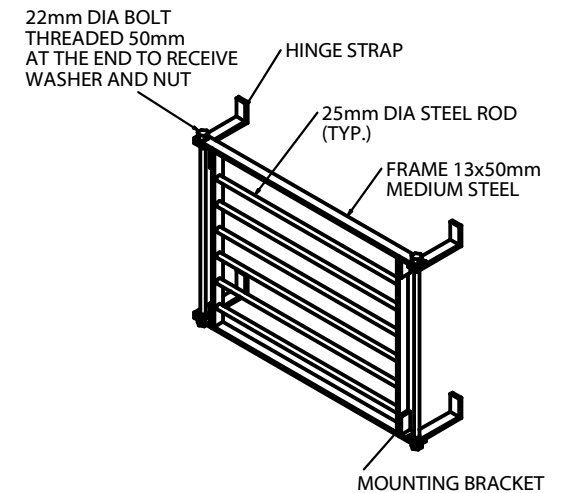
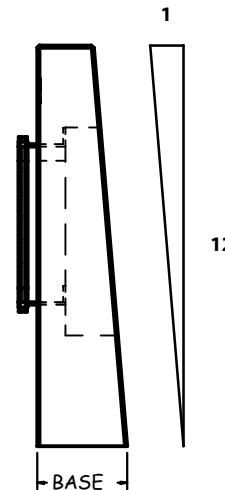
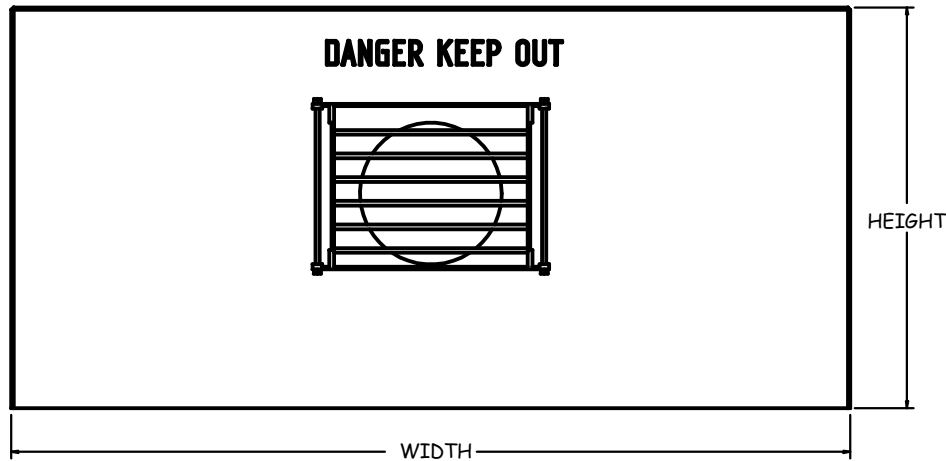
**CONCRETE:**

**45 MPa @ 28 DAYS,  
6% AIR ENTRAINMENT IN ACCORDANCE  
WITH OPSD 804.03**


**REINFORCING:**

**IN ACCORDANCE WITH CSA G30.12  
ALL REINFORCING STEEL HAS 30mm MIN. COVER**

	A			B			C	
<b>PIPE SIZE</b>	300	375	450	525	600	675	750	825
<b>HEIGHT</b>	1675	1675	1675	1940	1940	1940	2120	2120
<b>BASE</b>	440	440	440	462	462	462	477	477
<b>WIDTH</b>	2835	3100	3360	3630	3900	4170	4440	4695
<b>WEIGHT (KG)</b>	4105	4454	4787	6159	6567	6966	8248	8654



**HEADWALL FOR SEWER OR CULVERT PIPE (HW1000)**

	1645 SYDENHAM RD. KINGSTON, ONT.
	PHONE: (800) 223-0012 1-613-546-6683
www.anchorconcrete.com	