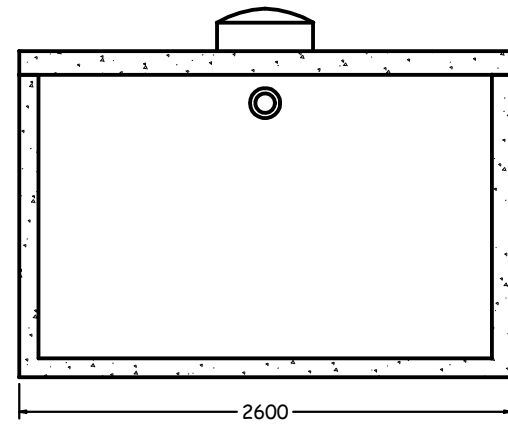


SIDE SECTION
1:40



END SECTION
1:40

2000 GALLON SEPTIC TANK (ST2000)

SPECIFICATIONS

ALL DIMENSIONS IN MILLIMETRES.

NOM. CAPACITY:

2000 GALLONS (9092 LITRES) TO INVERT OF OUTLET.
36.4 GALLONS/IN. VERTICALLY.
6494 LITRES/M VERTICALLY.

CONCRETE:

45 MPa @ 28 DAYS,
6% AIR ENTRAINMENT IN ACCORDANCE
WITH CSA A23.1 MOD-M90

REINFORCING:

IN ACCORDANCE WITH CSA A23.1-M90
ALL REINFORCING STEEL HAS 30mm MIN. COVER.
REINFORCING DETAILS AVAILABLE UPON REQUEST.

BAFFLES:

PVC PLASTIC LOCKED INTO CONCRETE.

INLET & OUTLET:

LOW PRESSURE PIPE SEALS FOR
51 (2"), 76 (3") OR 102 (4") PIPE
(INVERT AT SAME ELEVATION).

WEIGHT:

BOTTOM	-6876 KG
TOP SLAB	-2395 KG

NOTES:

- PRODUCT MANUFACTURED TO C.H.B.D.C. LOADING.
- MANUFACTURED IN ACCORDANCE WITH OPSS 1351.
- ALL PIECES INCLUDE SWIFT LIFT LIFTING ANCHORS.
- VARIABLE OPENINGS IN TOP SLAB AVAILABLE UPON REQUEST.
- MAX. BURIAL DEPTH: 610mm.
- DEEP BURIAL DEPTHS AVAILABLE UPON REQUEST.
- REFER TO INSTALLATION GUIDELINES FOR TANKS.



1645 SYDENHAM RD.
KINGSTON, ONT.

PHONE:
(800) 223-0012
1-613-546-6683

www.anchorconcrete.com