

## SPECIFICATIONS

ALL DIMENSIONS IN MILLIMETRES.

### NOM. CAPACITY:

1000 GALLONS (4546 LITRES) TO INVERT OF OUTLET.  
20.75 GALLONS/IN. VERTICALLY.  
3441 LITRES/M VERTICALLY.

### CONCRETE:

35 MPa @ 28 DAYS,  
6% AIR ENTRAINMENT IN ACCORDANCE  
WITH CSA A23.1 MOD-M90

### REINFORCING:

IN ACCORDANCE WITH CSA A23.1-M90  
ALL REINFORCING STEEL HAS 30mm MIN. COVER.  
REINFORCING DETAILS AVAILABLE UPON REQUEST.

### BAFFLES:

INLET: PVC PLASTIC LOCKED INTO CONCRETE.

### INLET & OUTLET:

POLYLOK TYPE III PIPE SEALS FOR  
51 (2"), 76 (3") OR 102 (4") PIPE.

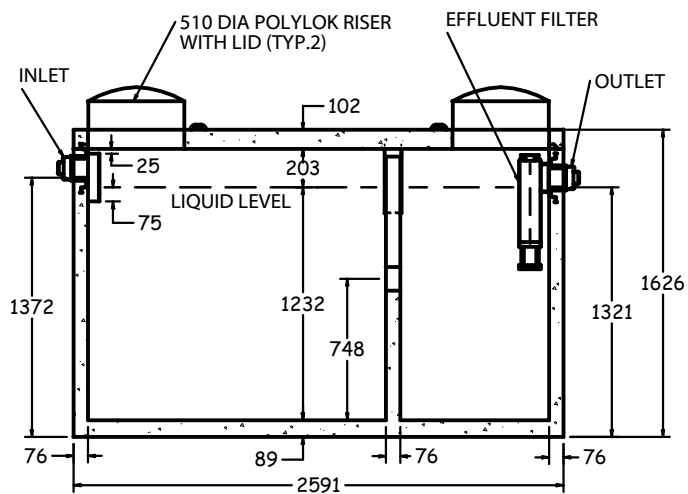
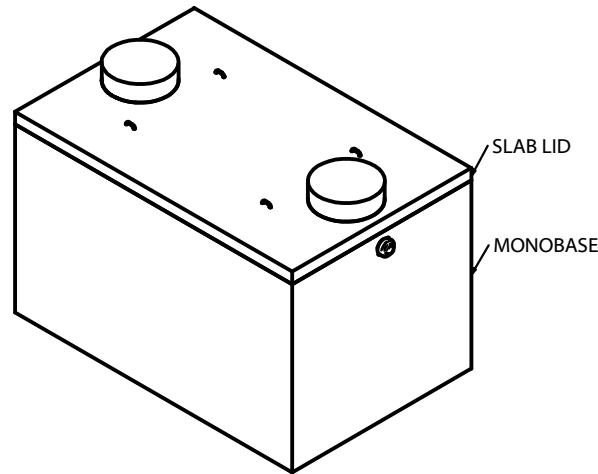
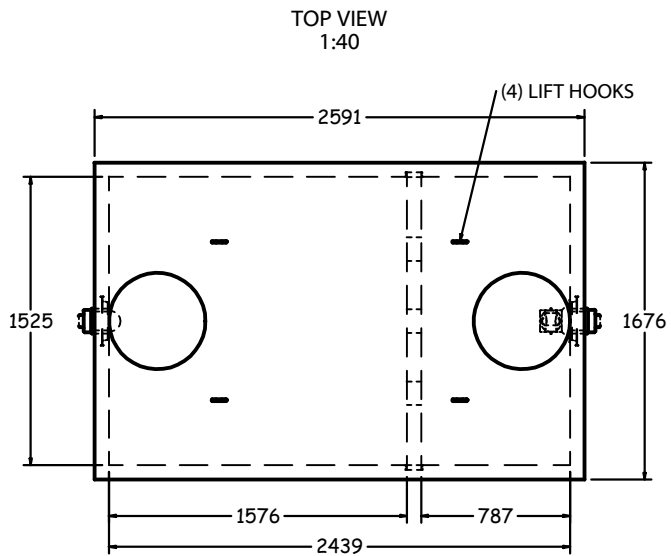
### WEIGHT:

BOTTOM	-4000 KG
TOP SLAB	-1364 KG

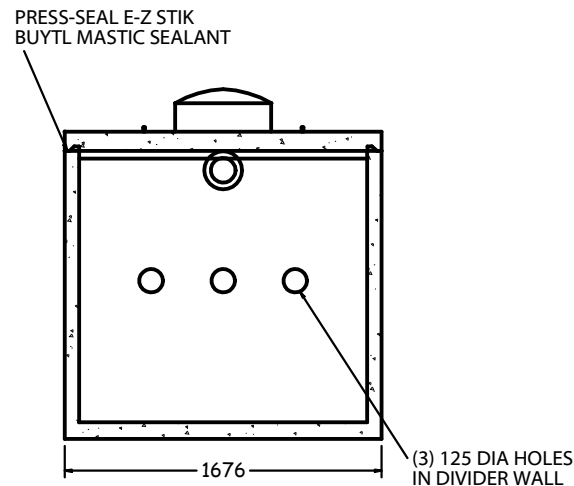
### NOTES:

MAX. BURIAL DEPTH: 610mm.  
DEEP BURIAL TANKS AVAILABLE UPON REQUEST.

ABOVE GROUND INSTALLATION NOT PERMITTED.  
REFER TO INSTALLATION GUIDELINES FOR TANKS.



SIDE SECTION  
1:40



END SECTION  
1:40

## 1000 GAL (4500L) STD SEPTIC TANK (ST2000)



1645 SYDENHAM RD.  
KINGSTON, ONT.

PHONE:  
(800) 223-0012  
1-613-546-6683

www.anchorconcrete.com