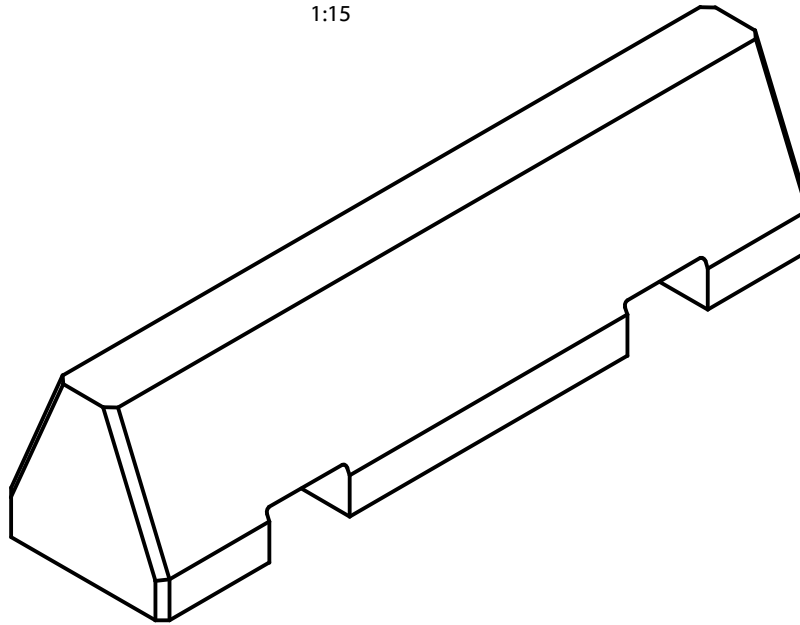


ISOMETRIC VIEW
1:15



SPECIFICATIONS

ALL DIMENSIONS IN MILLIMETRES.

CONCRETE:

35 MPa @ 28 DAYS,
6% AIR ENTRAINMENT IN ACCORDANCE
WITH CSA A23.1 MOD-M90

REINFORCING:

IN ACCORDANCE WITH CSA A23.4-94
ALL REINFORCING STEEL HAS 30mm MIN. COVER

WEIGHT:

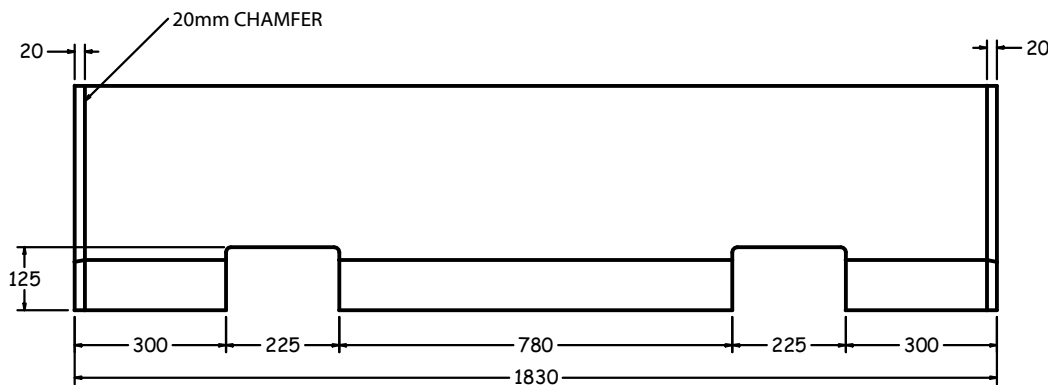
589 KG

OPTIONS:

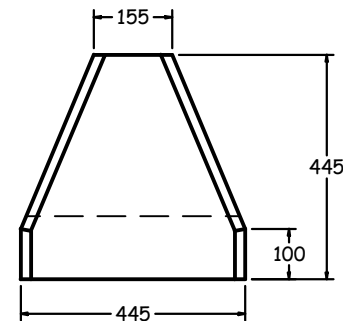
CAST-IN FITTINGS FOR TRAFFIC CONTROL SIGNS.

USES:

SUITABLE FOR MUNICIPAL CONSTRUCTION SITES,
COMMERCIAL PARKING LOTS AND HIGH TRAFFIC AREAS.



FRONT VIEW
1:15



END VIEW
1:15

1830mm MINI TRAFFIC CONTROL BARRIER (TS1000)



1645 SYDENHAM RD.
KINGSTON, ONT.

PHONE:
(800) 223-0012
1-613-546-6683

www.anchorconcrete.com