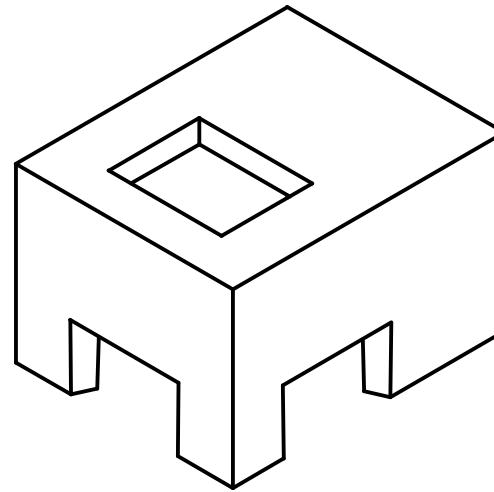
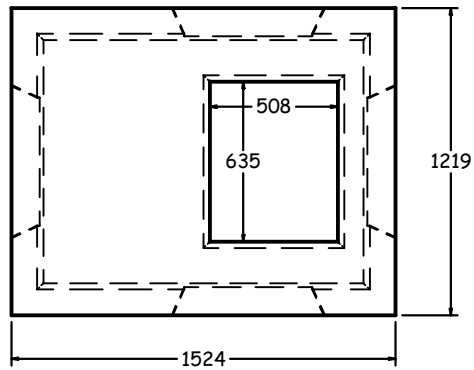


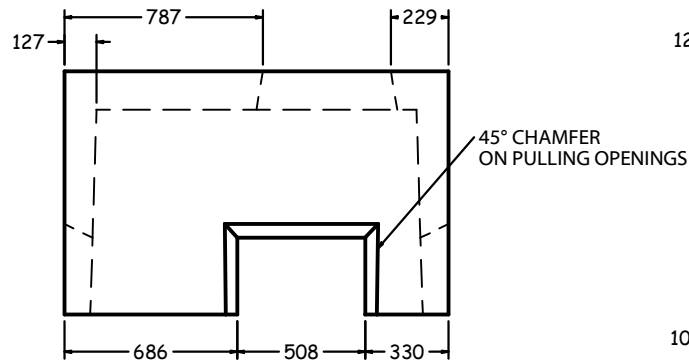
OPTIONS AVAILABLE UPON REQUEST INCLUDE:

DUCT TERMINATORS
CAST-IN PULLING EYES

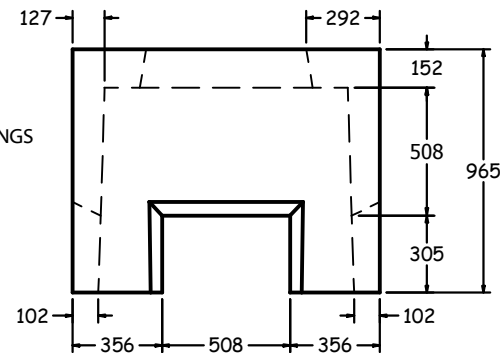
TOP VIEW
1:30



ISOMETRIC VIEW
1:30



FRONT VIEW
1:30



SIDE VIEW
1:30

SPECIFICATIONS

ALL DIMENSIONS IN MILLIMETRES.

CONCRETE:

35 MPa @ 28 DAYS,
6% AIR ENTRAINMENT IN ACCORDANCE
WITH CSA A23.1 MOD-M90

REINFORCING:

IN ACCORDANCE WITH CSA A23.1-M90
ALL REINFORCING STEEL HAS 30mm MIN. COVER

WEIGHT:

1545 KG

NOTES:

REINFORCING DETAILS AVAILABLE UPON REQUEST.

SUITABLE FOR TRANSFORMER UP TO 150 KVA.

VARIABLE OPENINGS IN TOP SLAB
AVAILABLE UPON REQUEST.

453 LA TRANSFORMER VAULT (M01790S)



1645 SYDENHAM RD.
KINGSTON, ONT.

PHONE:
(800) 223-0012
1-613-546-6683

www.anchorconcrete.com