

**OPTIONS AVAILABLE UPON REQUEST INCLUDE:**

SOLID BASE  
CAST-IN PULLING EYES  
CAST IRON EMBOSSED W/ ELECTRICAL OR COMMUNICATION

**SPECIFICATIONS**

**ALL DIMENSIONS IN MILLIMETRES.**

**CONCRETE:**

35 MPa @ 28 DAYS,  
6% AIR ENTRAINMENT IN ACCORDANCE  
WITH CSA A23.1 MOD-M90

**REINFORCING:**

IN ACCORDANCE WITH CSA A23.1-M90  
ALL REINFORCING STEEL HAS 30mm MIN. COVER

**WEIGHT:**

1100 KG

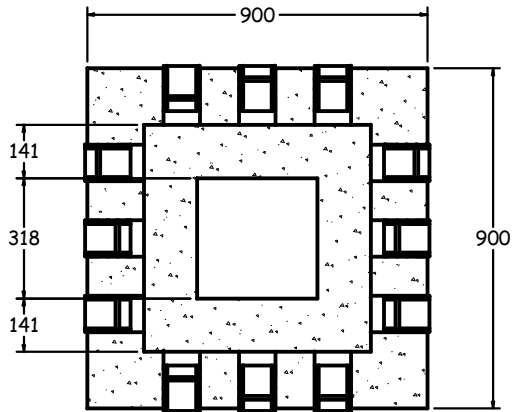
**NOTES:**

PRODUCT MANUFACTURED TO C.H.B.D.C. LOADING.

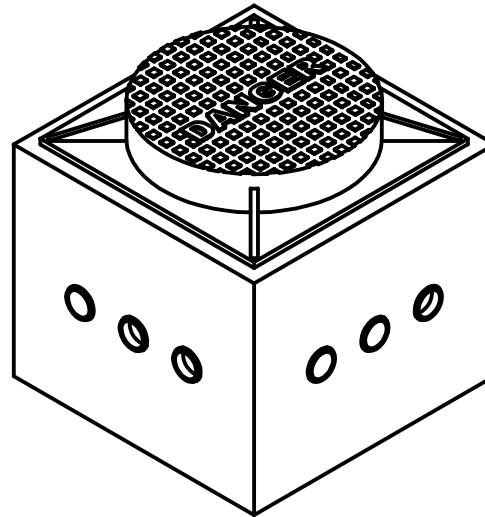
MANUFACTURED IN ACCORDANCE WITH  
OPSD 2112.040.

REINFORCING DETAILS AVAILABLE UPON REQUEST.

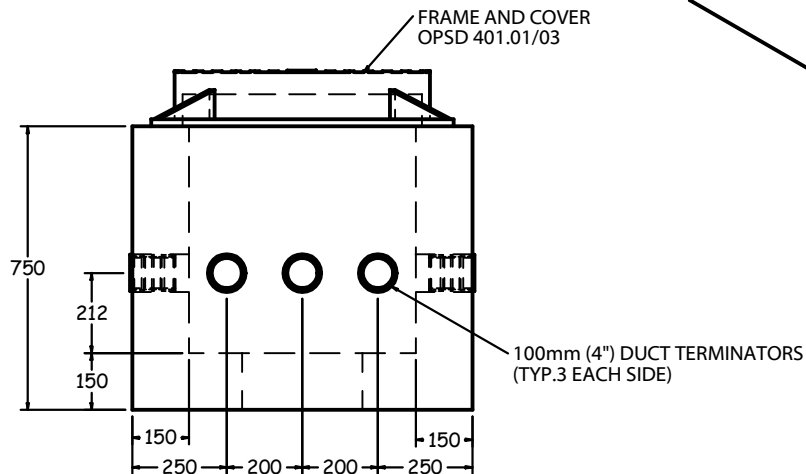
INCLUDES SWIFT LIFT LIFTING ANCHORS.



SECTION VIEW  
1:20



ISOMETRIC VIEW  
1:20



FRONT VIEW  
1:20

**600mmx600mm ELECTRICAL HANDHOLE W/TERMINATORS (EL1000)**



1645 SYDENHAM RD.  
KINGSTON, ONT.

PHONE:  
(800) 223-0012  
1-613-546-6683

[www.anchorconcrete.com](http://www.anchorconcrete.com)