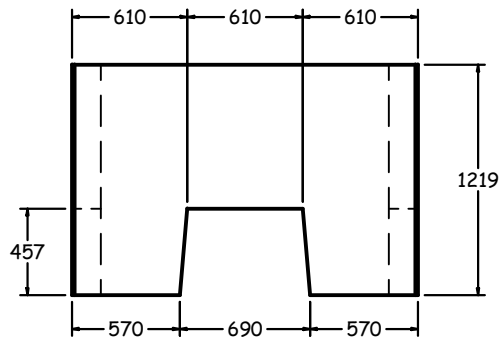
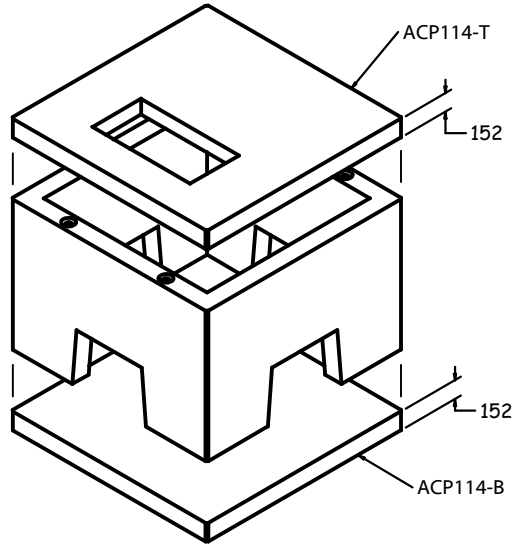
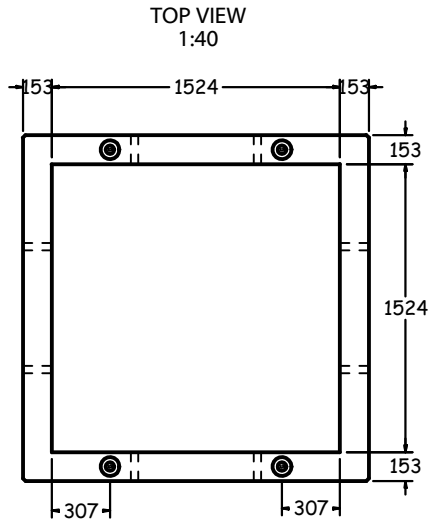
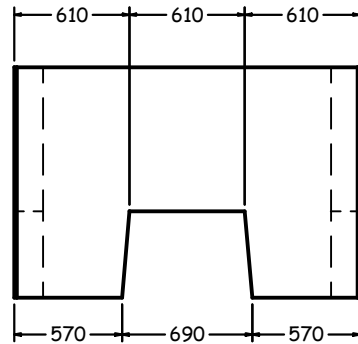


OPTIONS AVAILABLE UPON REQUEST INCLUDE:

DUCT TERMINATORS
CAST-IN PULLING EYES



FRONT VIEW
1:40



SIDE VIEW
1:40

ACP-114 VAULT (EL2000)

SPECIFICATIONS

ALL DIMENSIONS IN MILLIMETRES.

CONCRETE:

**35 MPa @ 28 DAYS,
6% AIR ENTRAINMENT IN ACCORDANCE
WITH CSA A23.1 MOD-M90**

REINFORCING:

**IN ACCORDANCE WITH CSA A23.1-M90
ALL REINFORCING STEEL HAS 30mm MIN. COVER**

WEIGHT:

**2560 KG
TOP SLAB 1.1 KG
BOTTOM SLAB 1.2 KG**

NOTES:

REINFORCING DETAILS AVAILABLE UPON REQUEST.

**SUITABLE FOR SINGLE PHASE TRANSFORMERS
OR 4-WAY MINI-T SECTIONALIZERS.**

**VARIABLE OPENINGS IN TOP SLAB
AVAILABLE UPON REQUEST.**



1645 SYDENHAM RD.
KINGSTON, ONT.

PHONE:
(800) 223-0012
1-613-546-6683

www.anchorconcrete.com