

SPECIFICATIONS

ALL DIMENSIONS IN MILLIMETRES.

CONCRETE:

35 MPa @ 28 DAYS,
6% AIR ENTRAINMENT IN ACCORDANCE
WITH OPSD 920.012

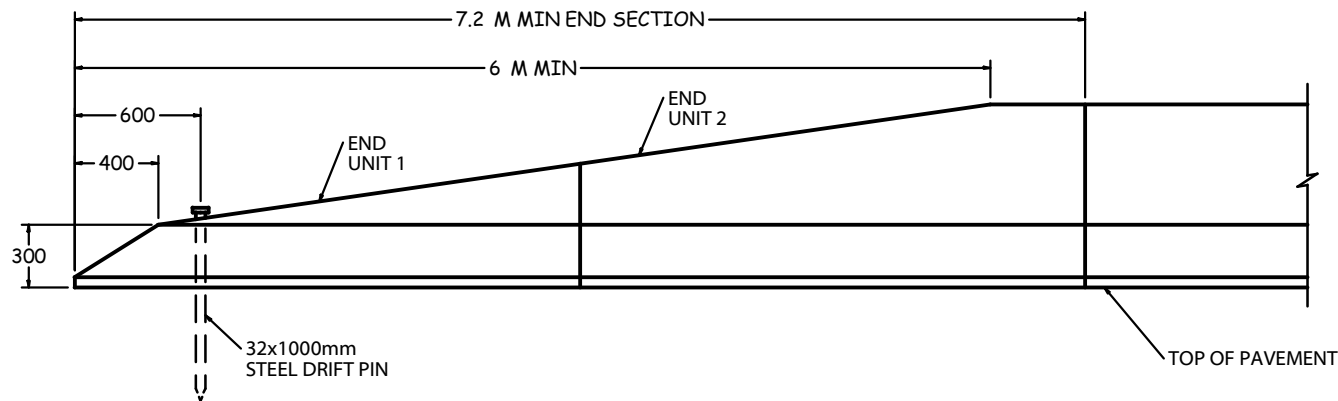
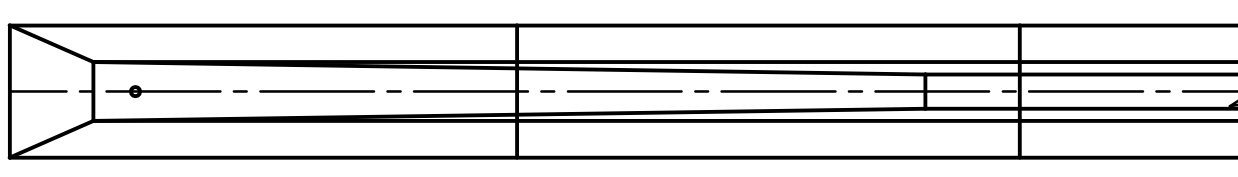
REINFORCING:

IN ACCORDANCE WITH CSA G30.12
ALL REINFORCING STEEL HAS 30mm MIN. COVER

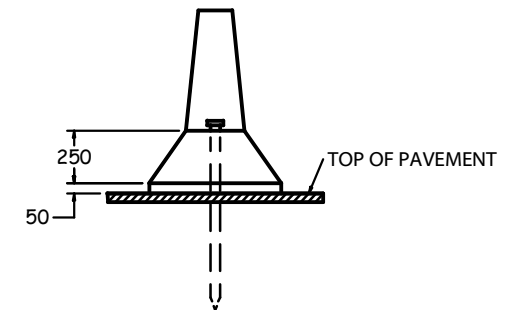
NOTES:

MANUFACTURED AS PER OPSD 902.03

PLAN VIEW



SIDE ELEVATION



FRONT ELEVATION

CONCRETE BARRIER - TEMPORARY END CONNECTION



1645 SYDENHAM RD.
KINGSTON, ONT.

PHONE:
(800) 223-0012
1-613-546-6683

www.anchorconcrete.com