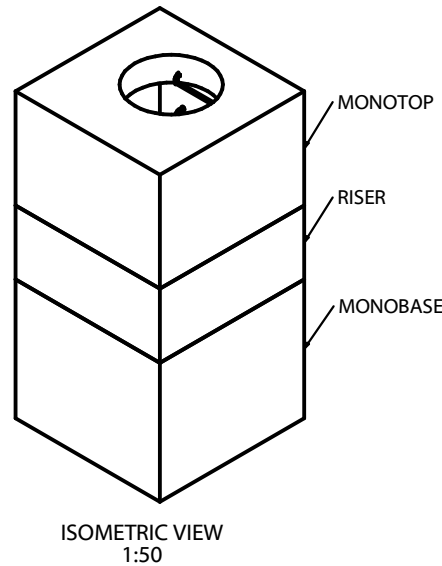
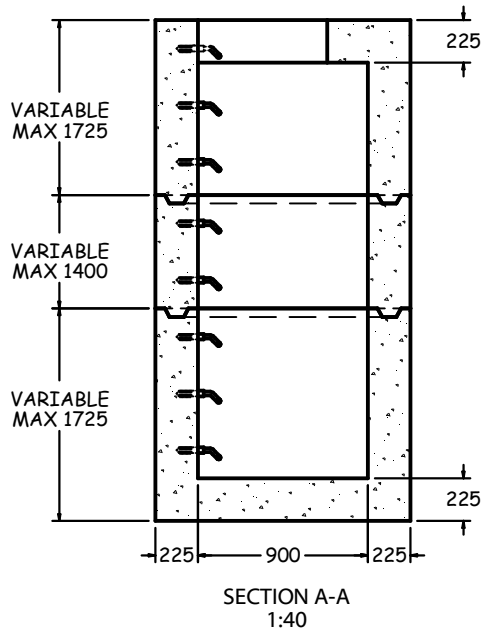
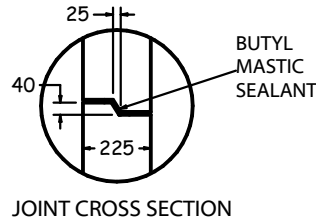
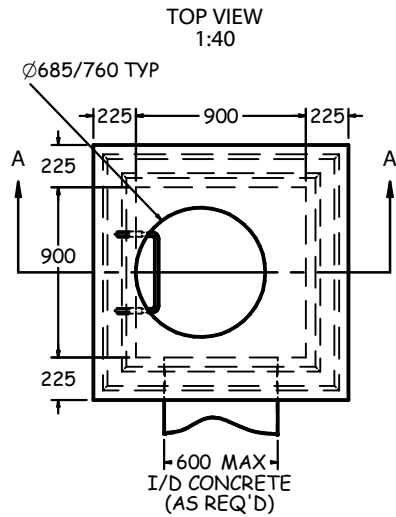


OPTIONS AVAILABLE UPON REQUEST INCLUDE:

- DUCT TERMINATORS
- SUMP W/DRAIN
- CAST-IN PULLING EYES
- CAST-IN CABLE RACKS
- CAST IRON EMBOSSED W/ ELECTRICAL OR COMMUNICATION



900x900 ELECTRICAL/COMMUNICATION MANHOLE (BM0900)

SPECIFICATIONS

ALL DIMENSIONS IN MILLIMETRES.

CONCRETE:

45 MPa @ 28 DAYS,
6% AIR ENTRAINMENT IN ACCORDANCE
WITH CSA A23.1 MOD-M90

REINFORCING:

IN ACCORDANCE WITH CSA A23.1-M90
ALL REINFORCING STEEL HAS 30mm MIN. COVER

WEIGHT:

WALLS	-2430 KG/V.M.
MONO BASE/TOP	-437 KG
TOP SLAB	-984 KG

NOTES:

PRODUCT MANUFACTURED TO C.H.B.D.C. LOADING.

MANUFACTURED IN ACCORDANCE WITH OPSS 1351.

REINFORCING DETAILS AVAILABLE UPON REQUEST.

ALL PIECES INCLUDE SWIFT LIFT LIFTING ANCHORS.

ALL MAINTENANCE HOLES INCLUDE
SOLID ALUMINUM LADDER RUNGS
AS PER OPSD 405.020.

VARIABLE OPENINGS IN TOP SLAB
AVAILABLE UPON REQUEST.

MAX. BURIAL DEPTH: 900mm.
DEEP BURIAL DEPTHS AVAILABLE UPON REQUEST.

REFER TO DRAWING MH-3 FOR MAX. PIPE SIZES.
PIPE GASKETS AVAILABLE UPON REQUEST.

REFER TO INSTALLATION GUIDELINES
FOR BOX MANHOLES AND CHAMBERS.



1645 SYDENHAM RD.
KINGSTON, ONT.

PHONE:
(800) 223-0012
1-613-546-6683

www.anchorconcrete.com