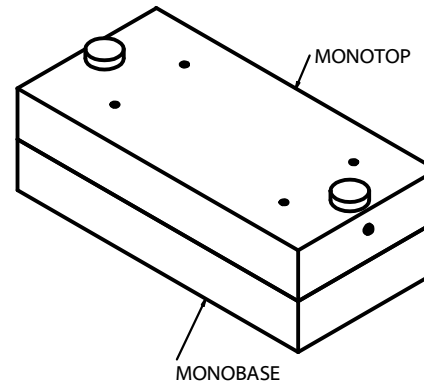
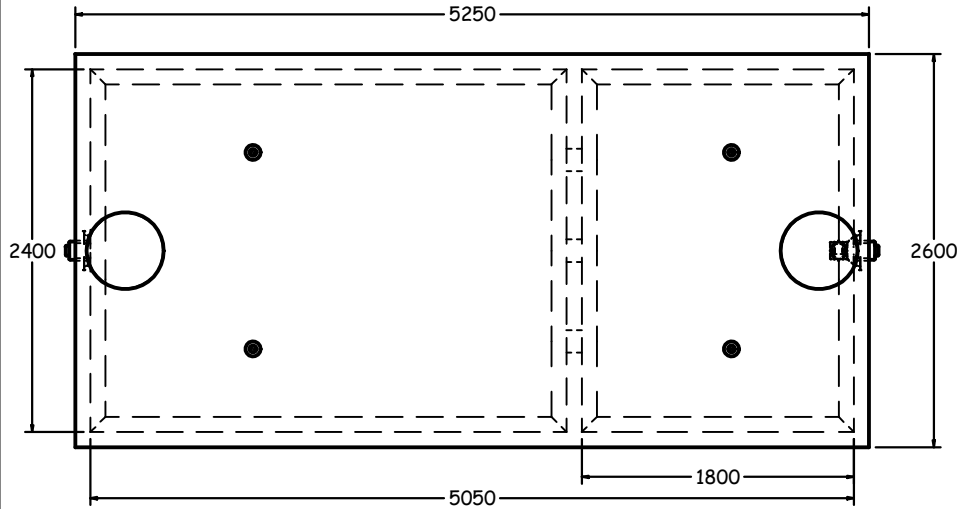


TOP VIEW  
1:50



**SPECIFICATIONS**

ALL DIMENSIONS IN MILLIMETRES.

**NOM. CAPACITY:**

3000 GALLONS (15000 LITRES) TO INVERT OF OUTLET.  
58.6 GALLONS/IN. VERTICALLY.  
11538 LITRES/M VERTICALLY.

**CONCRETE:**

55 MPa @ 28 DAYS,  
6% AIR ENTRAINMENT IN ACCORDANCE  
WITH CSA A23.1 MOD-M90

**REINFORCING:**

IN ACCORDANCE WITH CSA A23.1-M90  
ALL REINFORCING STEEL HAS 30mm MIN. COVER.  
REINFORCING DETAILS AVAILABLE UPON REQUEST.

**BAFFLES:**

PVC PLASTIC LOCKED INTO CONCRETE.

**INLET & OUTLET:**

POLYLOK TYPE III HIGH PRESSURE PIPE SEALS FOR  
76 (3") OR 102 (4") PIPE.

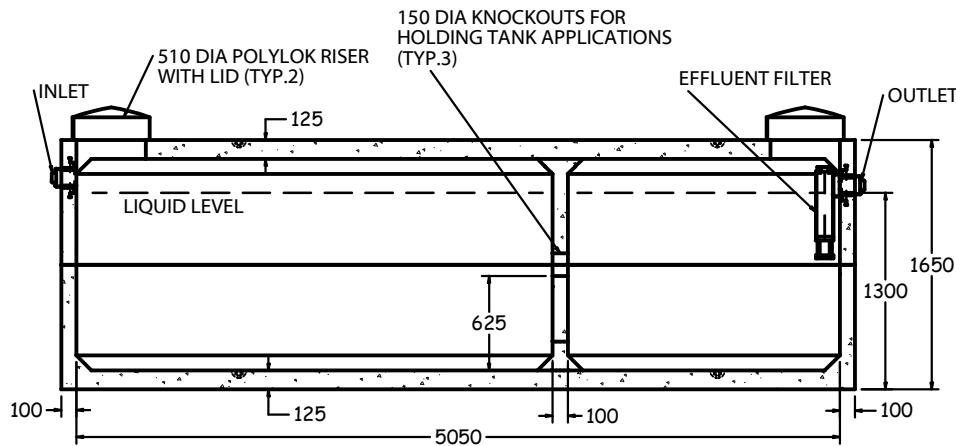
**WEIGHT:**

MONOBASE	-6500 KG
MONOTOP	-6500 KG

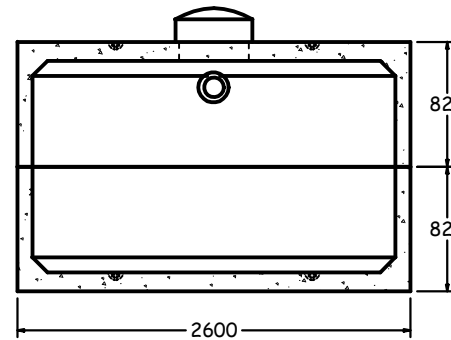
**NOTES:**

- PRODUCT MANUFACTURED TO C.H.B.D.C. LOADING.
- MANUFACTURED IN ACCORDANCE WITH OPSS 1351.
- ALL PIECES INCLUDE SWIFT LIFT LIFTING ANCHORS.
- VARIABLE OPENINGS IN MONOTOP AVAILABLE UPON REQUEST.
- MAX. BURIAL DEPTH: 610mm.  
DEEP BURIAL DEPTHS AVAILABLE UPON REQUEST.
- REFER TO INSTALLATION GUIDELINES FOR TANKS.

SIDE SECTION  
1:50



END SECTION  
1:50



**3000 GALLON SEPTIC TANK (ST3000)**



1645 SYDENHAM RD.  
KINGSTON, ONT.

PHONE:  
(800) 223-0012  
1-613-546-6683

www.anchorconcrete.com