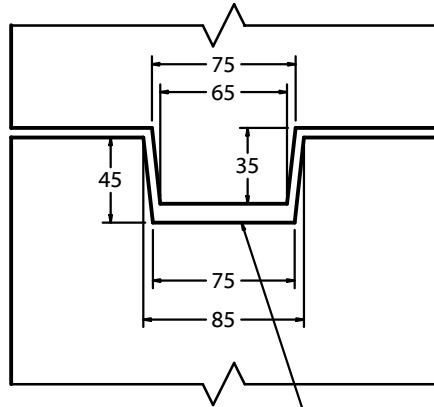


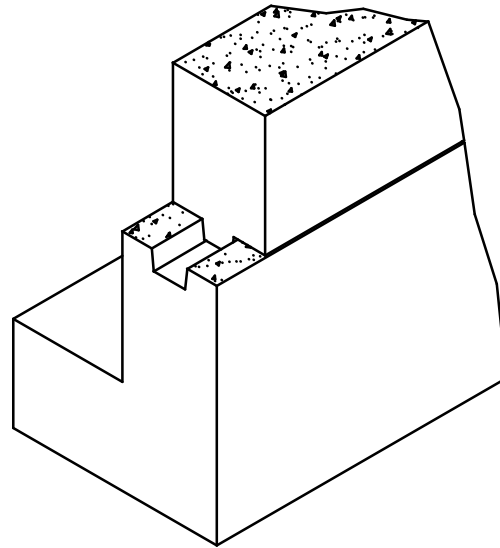
KEYWAY JOINT



BUYTL MASTIC SEALANT

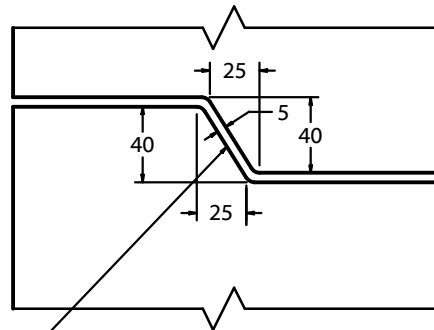
FOR BOX STRUCTURES:

- 1650 x 2400mm
- 1650 x 3000mm
- 1800 x 2400mm
- 2400 x 2400mm
- 2400 x 3000mm
- 2400 x 3800mm
- 3000 x 3800mm



BOX MANHOLE JOINT DETAILS

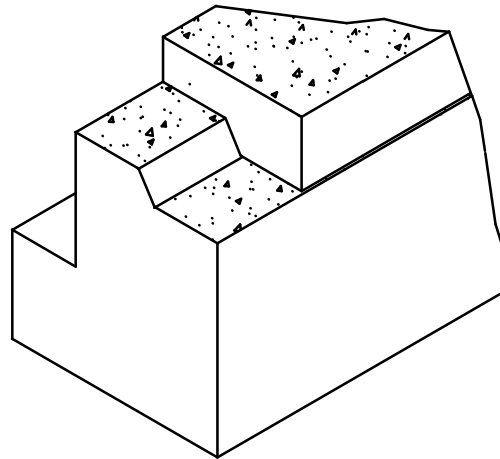
SPIGOT JOINT



BUYTL MASTIC SEALANT

FOR BOX STRUCTURES:

- 1200 x 1200mm
- 1500 x 1800mm



ALL DIMENSIONS IN MILLIMETERS



1645 SYDENHAM RD.
KINGSTON, ONT.

PHONE:
(800) 223-0012
1-613-546-6683

www.anchorconcrete.com