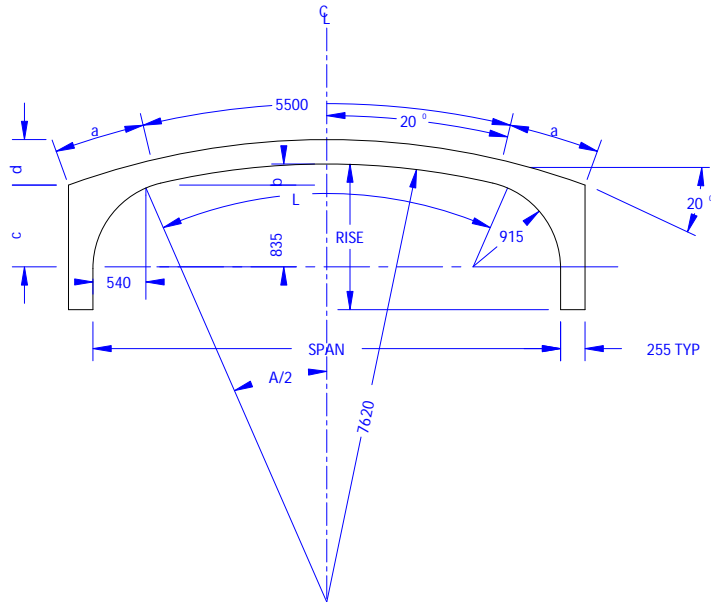
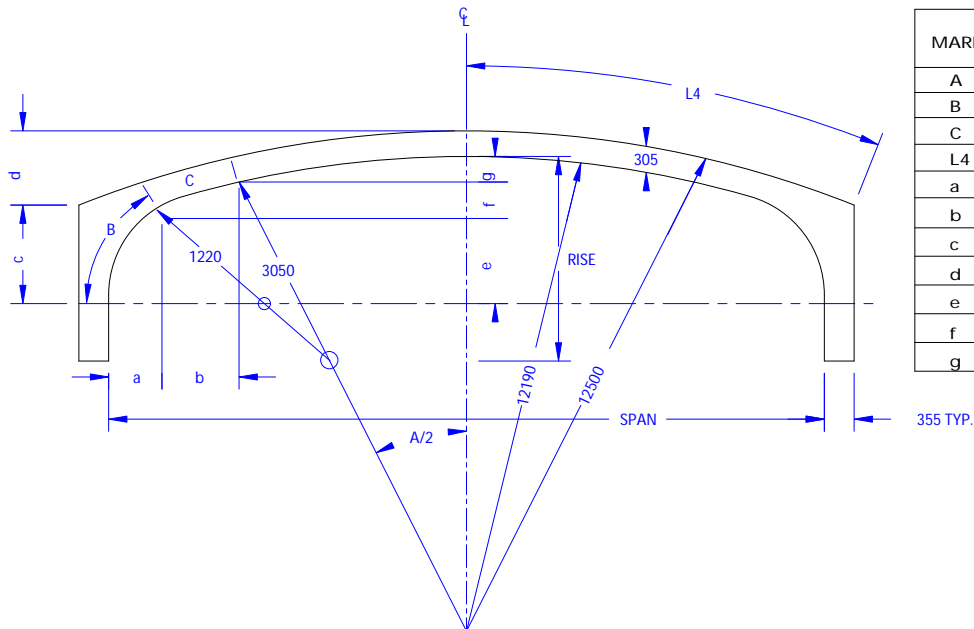


## INTERMEDIATE SPAN



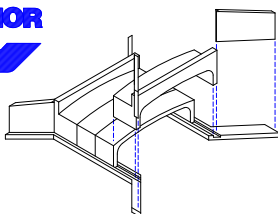
MARK	SPAN (mm)		
	4880	6100	7315
A	28.85 °	38.43 °	48.29 °
B	76.9 °	71.4 °	65.9 °
L	3837	5111	6422
a	0	649	1298
b	241	424	668
c	853	817	838
d	475	698	917

## LONG SPAN



MARK	SPAN (mm)		
	8535	9755	10975
A	25.73 °	31.64 °	37.93 °
B	56.39 °	50.37 °	44.88 °
C	20.75 °	23.81 °	26.16 °
L4	4735	5398	6079
a	545	440	355
b	1010	1112	1170
c	1175	1140	1110
d	885	1150	1450
e	1015	935	860
f	435	585	730
g	305	465	660

REV. JAN/97



**ANCHOR CONCRETE PRODUCTS LTD.**

KINGSTON, ONTARIO

PHONE: (800) 223-0012

CON/SPAN GEOMETRY

(CS1000, CS1010)

C/S-4