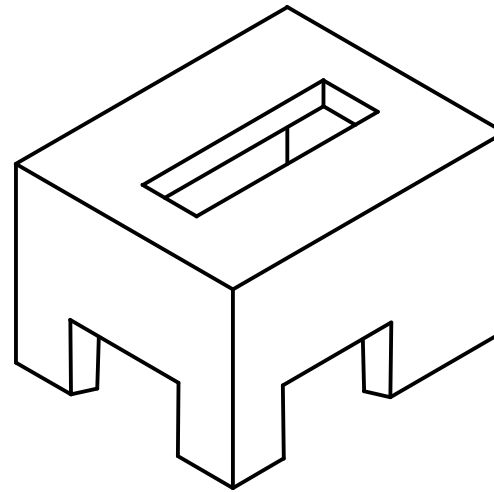
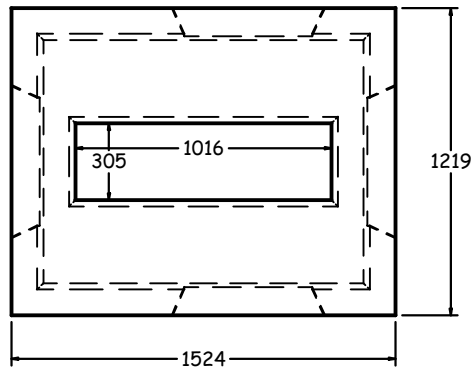


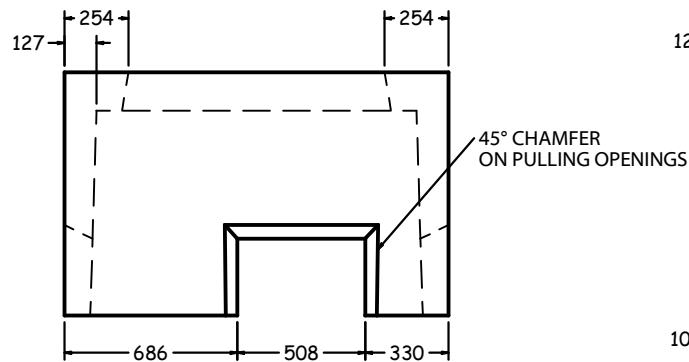
OPTIONS AVAILABLE UPON REQUEST INCLUDE:

DUCT TERMINATORS
CAST-IN PULLING EYES

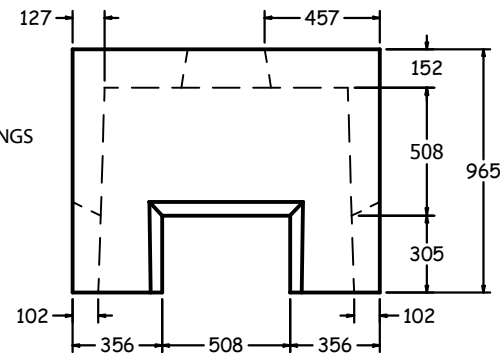
TOP VIEW
1:30



ISOMETRIC VIEW
1:30



FRONT VIEW
1:30



SIDE VIEW
1:30

CC-348-18TH-V SECTIONALZER VAULT (M01800S)

SPECIFICATIONS

ALL DIMENSIONS IN MILLIMETRES.

CONCRETE:

35 MPa @ 28 DAYS,
6% AIR ENTRAINMENT IN ACCORDANCE
WITH CSA A23.1 MOD-M90

REINFORCING:

IN ACCORDANCE WITH CSA A23.1-M90
ALL REINFORCING STEEL HAS 30mm MIN. COVER

WEIGHT:

1545 KG

NOTES:

REINFORCING DETAILS AVAILABLE UPON REQUEST.

SUITABLE FOR TRANSFORMER UP TO 150 KVA.

VARIABLE OPENINGS IN TOP SLAB
AVAILABLE UPON REQUEST.



1645 SYDENHAM RD.
KINGSTON, ONT.

PHONE:
(800) 223-0012
1-613-546-6683

www.anchorconcrete.com