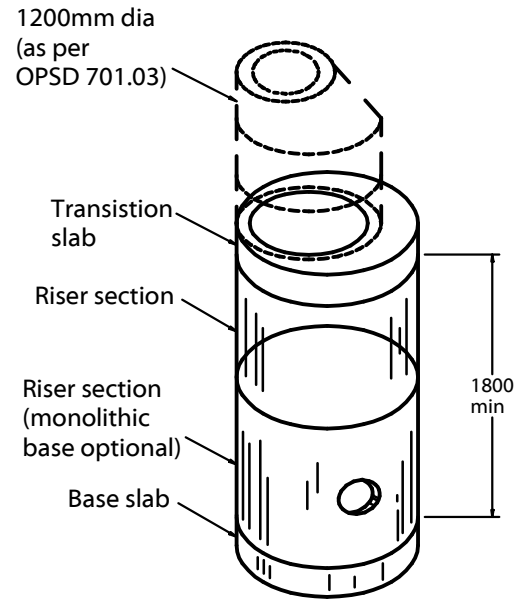
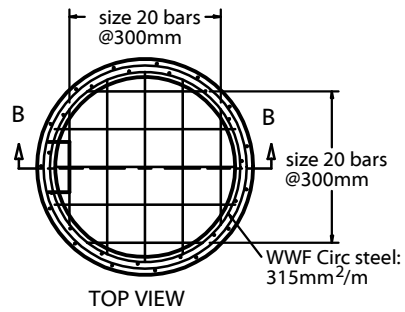


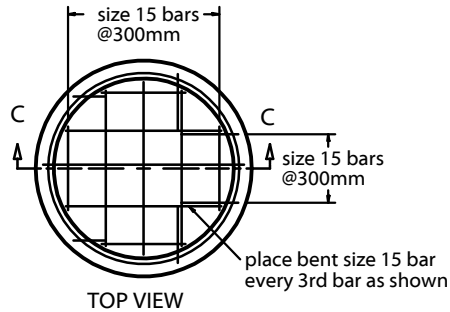
SECTION A-A
TRANSITION SLAB



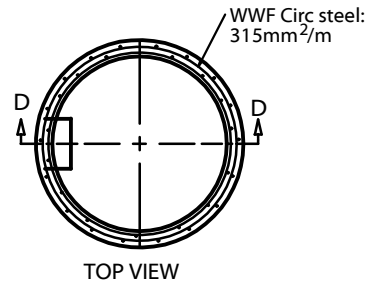
1500 to 1200mm Dia



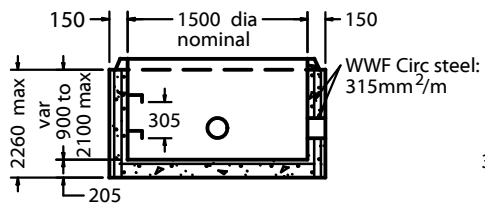
TOP VIEW



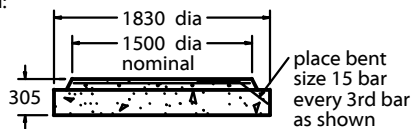
TOP VIEW



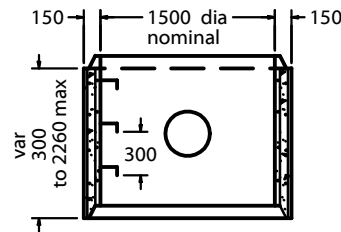
TOP VIEW



SECTION B-B
MONOLITHIC BASE



SECTION C-C
BASE SLAB



SECTION D-D
RISER SECTION

SPECIFICATIONS

ALL DIMENSIONS IN MILLIMETRES.

CONCRETE:

35 MPa @ 28 DAYS,
6% AIR ENTRAINMENT IN ACCORDANCE
WITH CSA A23.1 MOD-M90

REINFORCING:

GRADE 400MPa TO CSA G30.12
WELDED WIRE FABRIC TO CSA G30.5
ALL REINFORCING STEEL HAS 30mm MIN. COVER

NOTES:

MANUFACTURED IN ACCORDANCE WITH
OPSD 701.011, 701.040 AND 701.041.
MANUFACTURED IN ACCORDANCE WITH OPSS 1351.
DESIGNED TO OHBD CODE.
REINFORCING DETAILS AVAILABLE UPON REQUEST.

1500mm DIA CONCRETE MANHOLE (MH1500)



1645 SYDENHAM RD.
KINGSTON, ONT.

PHONE:
(800) 223-0012
1-613-546-6683

www.anchorconcrete.com