

**SPECIFICATIONS**

ALL DIMENSIONS IN MILLIMETRES.

**CONCRETE:**

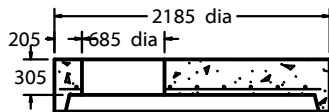
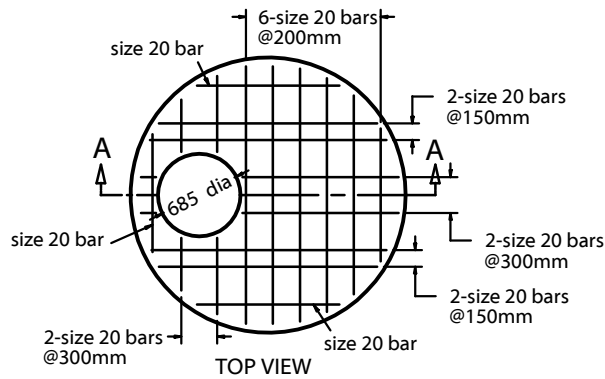
35 MPa @ 28 DAYS,  
6% AIR ENTRAINMENT IN ACCORDANCE  
WITH CSA A23.1 MOD-M90

**REINFORCING:**

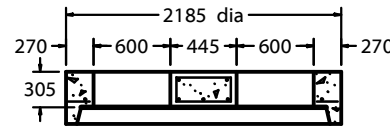
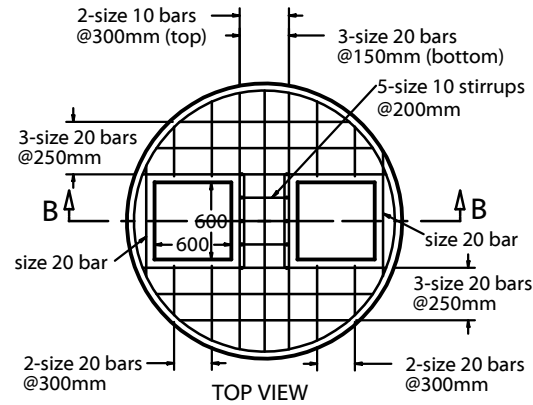
GRADE 400MPa TO CSA G30.12  
WELDED WIRE FABRIC TO CSA G30.5  
ALL REINFORCING STEEL HAS 30mm MIN. COVER

**NOTES:**

MANUFACTURED IN ACCORDANCE WITH  
OPSD 703.012 AND 703.022.  
MANUFACTURED IN ACCORDANCE WITH OPSS 1351.  
DESIGNED TO OHBD CODE.  
REINFORCING DETAILS AVAILABLE UPON REQUEST.



SECTION A-A  
FLAT CAP



SECTION B-B  
TWIN INLET FLAT CAP

**1800mm DIA SINGLE AND TWIN INLET FLAT CAP (MH1800)**



1645 SYDENHAM RD.  
KINGSTON, ONT.

PHONE:  
(800) 223-0012  
1-613-546-6683

www.anchorconcrete.com