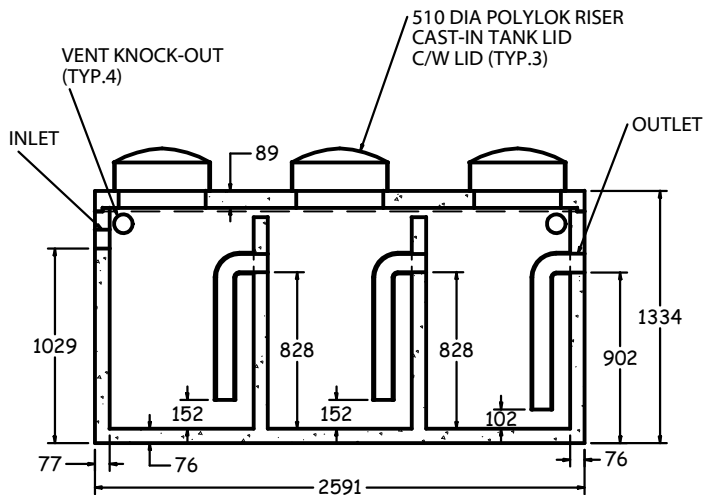
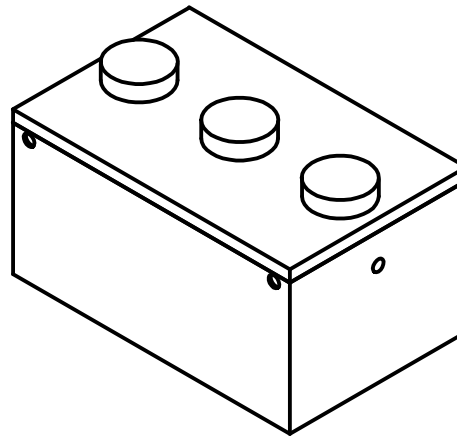
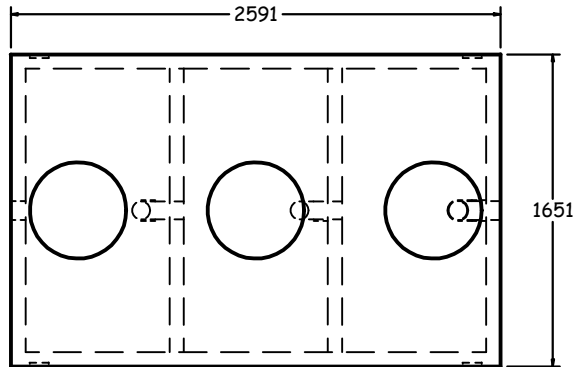
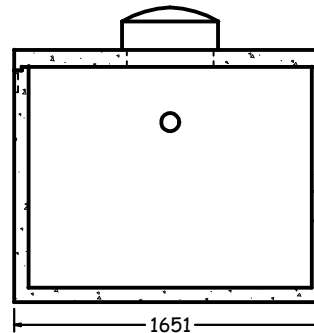


TOP VIEW
1:40



SIDE SECTION
1:40



END SECTION
1:40

SPECIFICATIONS

ALL DIMENSIONS IN MILLIMETRES.

NOM. CAPACITY:

670 GALLONS (3045 LITRES) TO INVERT OF OUTLET.
19.7 GALLONS/IN. VERTICALLY.
3155 LITRES/M VERTICALLY.

CONCRETE:

35 MPa @ 28 DAYS,
6% AIR ENTRAINMENT IN ACCORDANCE
WITH CSA A23.1 MOD-M90

REINFORCING:

IN ACCORDANCE WITH CSA A23.1-M90
ALL REINFORCING STEEL HAS 30mm MIN. COVER.

BAFFLES:

100mm DIA PVC SDR-35 PLASTIC PIPE
LOCKED INTO CONCRETE.

INLET & OUTLET:

100mm DIA PVC SDR-35 COUPLER
CAST-IN TANK WALL.

WEIGHT:

BOTTOM	-3130 KG
TOP SLAB	-900 KG

NOTES:

REINFORCING DETAILS AVAILABLE UPON REQUEST.

VARIABLE OPENINGS IN TOP SLAB
AVAILABLE UPON REQUEST.

MAX. BURIAL DEPTH: 610mm.
DEEP BURIAL DEPTHS AND VEHICULAR LOADING TANKS
AVAILABLE UPON REQUEST.

REFER TO INSTALLATION GUIDELINES FOR TANKS.

3100 LITRE (700 GAL) OIL SEPARATOR (OG1000)



1645 SYDENHAM RD.
KINGSTON, ONT.

PHONE:
(800) 223-0012
1-613-546-6683

www.anchorconcrete.com