

**CUBICAL ANCHOR BLOCK**

**SPECIFICATIONS**

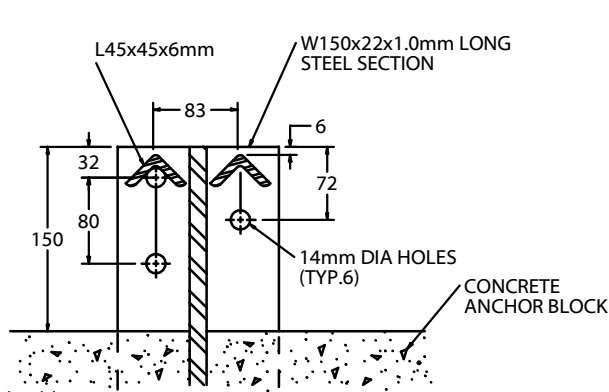
ALL DIMENSIONS IN MILLIMETRES.

MANUFACTURED IN ACCORDANCE WITH 913.102.

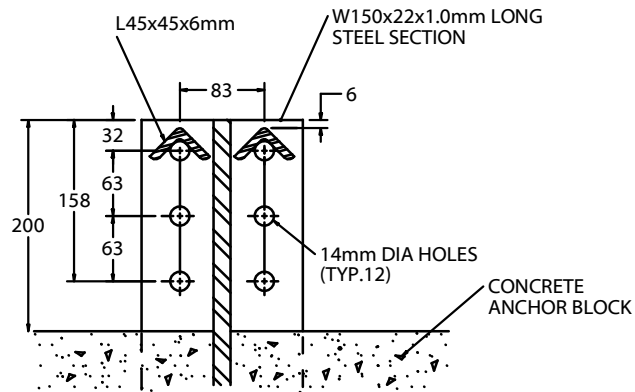
**CONCRETE:**

35 MPa @ 28 DAYS,  
6% AIR ENTRAINMENT IN ACCORDANCE  
WITH OPSD 910.04


**3 and 6 CABLE GUIDE RAIL  
CONCRETE ANCHOR BLOCKS**



**SECTION A-A FOR 3 CABLE**



**SECTION A-A FOR 6 CABLE**

	1645 SYDENHAM RD. KINGSTON, ONT.
	PHONE: (800) 223-0012 1-613-546-6683
<a href="http://www.anchorconcrete.com">www.anchorconcrete.com</a>	