

**OPTIONS AVAILABLE UPON REQUEST INCLUDE:**

DUCT TERMINATORS  
CAST-IN PULLING EYES

**SPECIFICATIONS**

**ALL DIMENSIONS IN MILLIMETRES.**

**CONCRETE:**

**35 MPa @ 28 DAYS,  
6% AIR ENTRAINMENT IN ACCORDANCE  
WITH CSA A23.1 MOD-M90**

**REINFORCING:**

**IN ACCORDANCE WITH CSA A23.1-M90  
ALL REINFORCING STEEL HAS 30mm MIN. COVER**

**WEIGHT:**

**3788 KG**

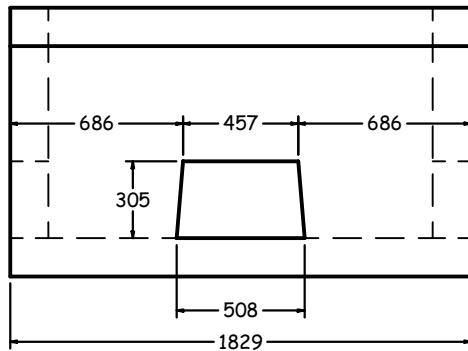
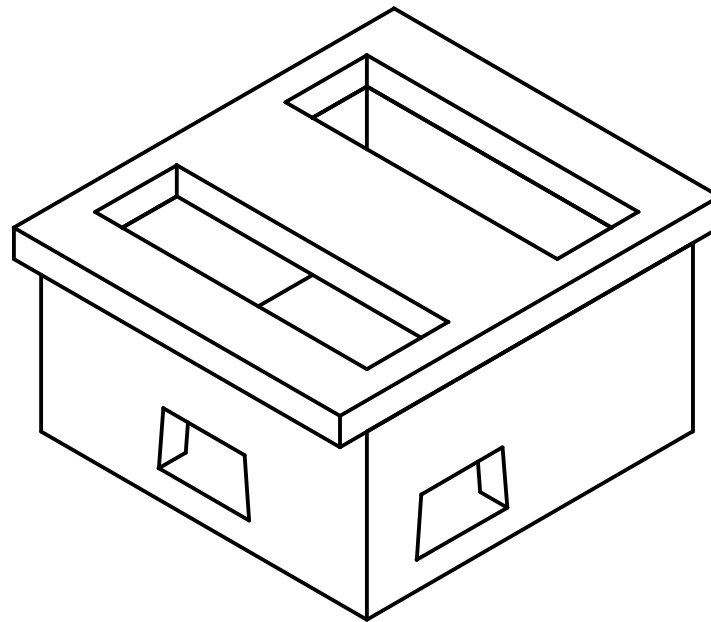
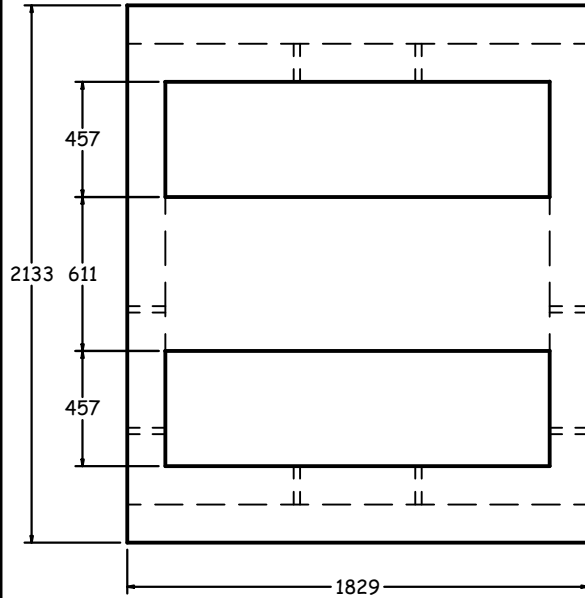
**NOTES:**

**REINFORCING DETAILS AVAILABLE UPON REQUEST.**

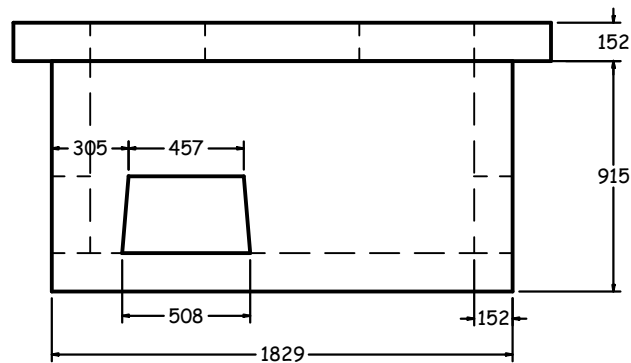
**SUITABLE FOR TRANSFORMERS OVER 500 KVA.**

**VARIABLE OPENINGS IN TOP SLAB  
AVAILABLE UPON REQUEST.**

TOP VIEW  
1:30



FRONT VIEW  
1:30



SIDE VIEW  
1:30

**455 LA TRANSFORMER VAULT (M01798S)**



1645 SYDENHAM RD.  
KINGSTON, ONT.

PHONE:  
(800) 223-0012  
1-613-546-6683

[www.anchorconcrete.com](http://www.anchorconcrete.com)