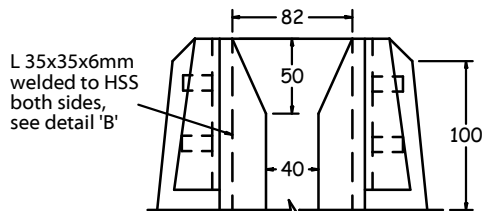
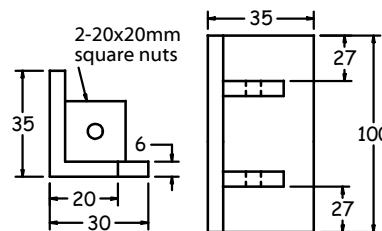


SIDE ELEVATION



L 35x35x6mm welded to HSS both sides, see detail 'B'



DETAIL 'B'

SPECIFICATIONS

ALL DIMENSIONS IN MILLIMETRES.

CONCRETE:

35 MPa @ 28 DAYS,
6% AIR ENTRAINMENT IN ACCORDANCE
WITH OPSD 911.143

REINFORCING:

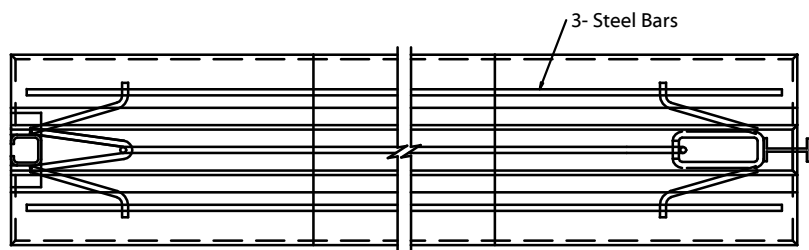
IN ACCORDANCE WITH CSA G30.12
ALL REINFORCING STEEL HAS 30mm MIN. COVER

WEIGHT:

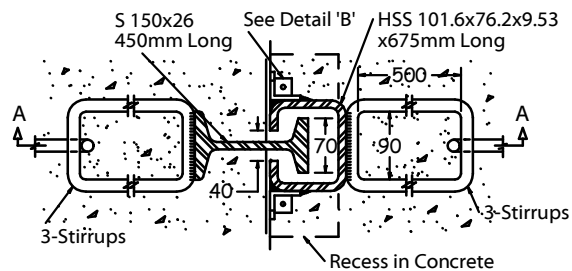
4600 KG

USES:

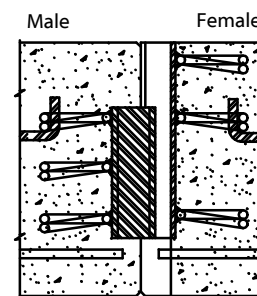
ALTERNATE TO CAST-IN PLACE BARRIER WALLS.



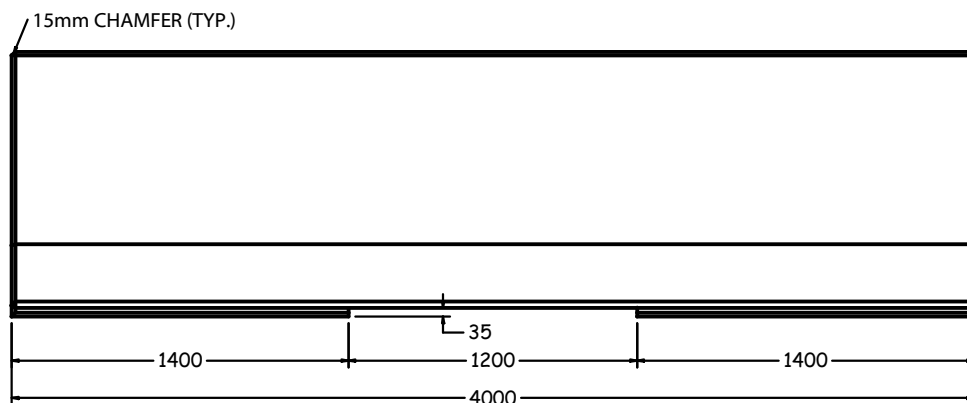
PLAN VIEW



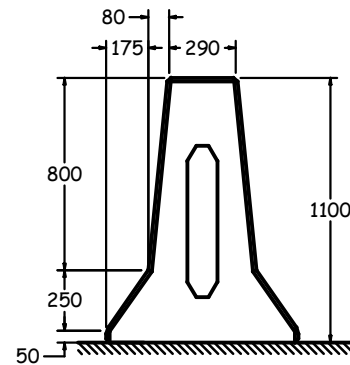
CONNECTION DETAIL



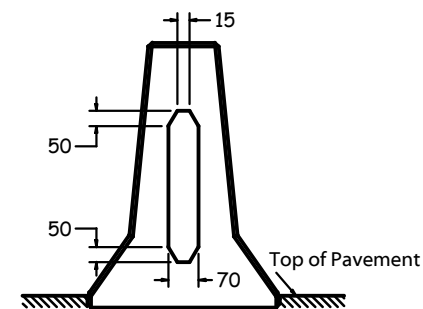
SECTION A-A



TALL WALL BARRIER (TS1000)



TEMPORARY INSTALLATION



PERMANENT INSTALLATION



1645 SYDENHAM RD.
KINGSTON, ONT.

PHONE:
(800) 223-0012
1-613-546-6683

www.anchorconcrete.com